



DIESEL REFUELLING UNITS

OPERATORS HANDBOOK



GENIUS DIESEL DIESEL POD

100L / 200L / 300L / 400L / 450L / 600L / 800L / 1,000L / 1,200L



CONTENTS

01	Introduction
02	Warnings
04	Warning Notices
05	Product Risk Assessment
06	Know Your Diesel Tank
08	Installation & Operation
11	Maintenance
12	Troubleshooting
13	Pump Breakdown & Parts
13	40L/min Pump
14	45L/min Pump
15	60L/min Pump
16	80L/min Pump
17	Accessories & Options
20	Warranty
22	Warranty Registration



INTRODUCTION

Congratulations on your purchase of a Rapid Spray Diesel Refuelling Tank which is complete and ready to use.

Our range of diesel refuelling tanks have been designed to provide a long and trouble free experience, manufactured to the highest standards so you can rely on your Genius or DieselPod refuelling tank for many years to come.

MODELS

Please note your model may not have all the parts or accessories listed in this handbook. This handbook covers all sizes in the following models:

DIESELPOD RANGE



GENIUS DIESEL RANGE



DISCLAIMER: In line with our policy of continuous improvement, the weights, dimensions and design may change slightly from what is shown in this operators handbook.

***WARNING:** Always obey vehicle and UTV/ATV manufacturer instructions regarding loading and operation. Please check weight restrictions. Serious death or injury can occur from improper usage. Rapid Spray accepts no liability for the unsafe operation of this unit.

WARNINGS

1. When mounting to any vehicle. Ensure that you have read the Vehicle Owner's Manual and that you comply with all weight restrictions specified by the vehicle manufacturer as overloading can cause injury or death.
2. To ensure your own safety and that of your employees if applicable, you must comply with all relevant environmental, work place health and safety legislation and codes of practice including the requirements of AS1940-2017 (the storage and handling of flammable and combustible liquids.)
3. Ensure tank is firmly secured in an appropriate manner. Where applicable tank mounting may need to be designed/approved by an engineer.
4. Care should be taken at all times, particularly when operating on rough or steep terrain. Drivers should be aware of the effects of fluid surge at all times. (This can be minimized through the use of Rapid Sprays innovative ball baffle system.)
5. Personal Protection Equipment must be worn if required.
6. Improper or careless use of this tank can cause serious injury or death. Minors should never be allowed to use this tank.
7. Improper or careless use of this hose reel can cause serious injury. Minors should ever be allowed to use this hose reel. This hose reel should not be used when bystanders or animals are in the area. This hose reel should never be used while children are in the area.
8. You must be in good mental health to operate this tank, and not be under the influence of alcohol or any drugs that could impair your vision, physical strength, dexterity, judgment or other mental capacity.
9. This diesel unit is designed and manufactured solely for the purpose of carrying and pumping diesel. Under no circumstances should it be used for any other purpose.
10. Before using the diesel unit, carefully read and ensure you understand the contents of this manual and any other manuals supplied with the unit.
11. Before operating the diesel unit read all the safety warnings which are attached to the various parts of the machine. Refer to page 8, for the wording of these warnings.

- 12. Never allow an inadequately trained person to operate the diesel unit.
- 13. Ensure the capacity of the vehicle is suitable for the loaded mass of the diesel unit. Refer to the vehicle operator’s manual for the safe working loads and relevant safety instructions.
- 14. Avoid diesel contact with skin and eyes, and avoid breathing vapours. Refer to Material Safety Data sheet for diesel for further information.
- 15. The use of protective clothing or equipment to prevent physical contact with diesel fluid is highly recommended.
- 16. This unit should never be left unattended while it is being filled or pump is operating.
- 17. Before attempting to fill the tank at a service station, consult the operator or available signage for the correct procedure.
- 18. Do not store diesel unit within or next to a dwelling or garage attached to a dwelling.
- 19. Store diesel unit in a well ventilated open area.
- 20. The storage shall not be in proximity to any heating or ignition source.
- 21. No combustible waste material or residues shall be permitted to remain in or around areas in which diesel is stored or decanted.
- 22. Any spillage shall be cleaned up immediately and materials used in the clean-up shall be disposed of safely and in accordance with any relevant local regulations.

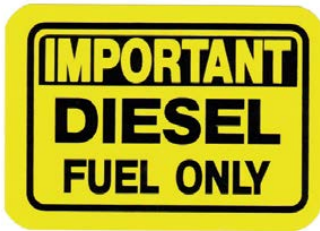


WARNING NOTICES

EQUIPMENT LABELS

A copy of stickers attached to the tank, are shown below. Please ensure that these instructions are followed. Safety decals should be kept clean and legible at all times. If any decals are missing or unreadable, they should be replaced by ordering new decals from your RAPID SPRAY dealer using the parts numbers shown. Replacement decals are supplied FOC.

RE-ORDER CODE: CKA009



RE-ORDER CODE: CKA008



! BEFORE OPERATING UNIT !

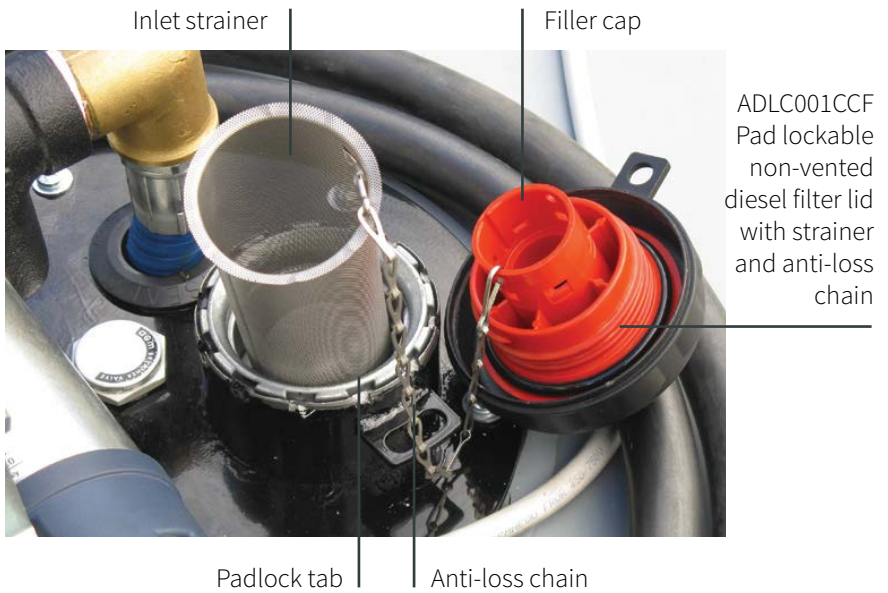
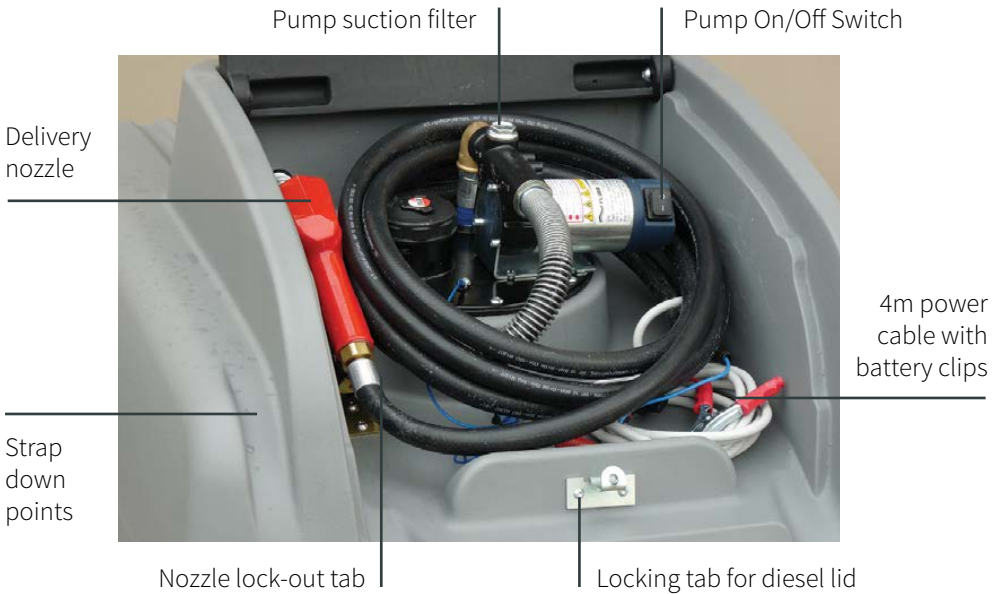
This tank is classified as 'Minor Storage' for Class C1 Combustible Liquids when operated correctly in compliance with AS1940-2017.

Before using this tank, operators should familiarise themselves with the requirements of this standard.

PRODUCT RISK ASSESSMENT

TASK	HAZARDS	RISK	CONTROL MEASURES
Partially fill tank with diesel, connect 12 volt transfer kit (If applicable) & test operation of unit.	Manual handling; slips, trips or falls; electricity; static.	Medium	Concentrate on the task at hand; follow safe manual handling techniques: don't lift on your own if >20kg, bend knees & keep back straight; keep fingers clear; keep unit at least 8m from overhead power lines; use supplied earth lead in specified manner; tank mounting to comply with relevant codes of practice and transport authority requirements.
Check weather conditions & select the appropriate PPE to suit operation of the unit	Manual handling; slips, trips or falls; diesel contact and fumes/vapours.	Low	Use PPE as per the chemical requirements in the Material Safety Data sheet – coveralls, gloves, safety footwear, glasses & respirator; follow safe manual handling techniques.
Fill the diesel tank	As above; diesel fumes, diesel spillage, diesel vapour and combustibility; weather conditions; untrained operators; tank not secured; tank used for non diesel products	Medium	Follow the relevant Environment Protection Authority requirements; fire extinguisher on hand – CO2 or powder; keep other personal away unless wearing appropriate PPE; check load security; operate with diesel only in accordance to “DIESEL ONLY” sticker.
Check that transport vehicle is safe before use i.e. where applicable; wheel nuts, tyre pressure, bearings, tow hitch, service history, etc. Operate diesel unit.	As above; loss of load; heat or cold; noise of pump & vehicle; exceeding load limit of vehicle; load security; hose entanglement; exhaust fumes; terrain.	High	As above; wear clothes to suit heat & cold; wear hearing protection if noise >85dBa; follow the manufacturer's safe operation instructions for the vehicle and transfer unit ; don't overload-diesel; weighs approx. 0.85kg for every litre; secure load to vehicle; check earth straps; hoses tidy.
Clean up, maintenance & storage	As above. Confined space inside tank	High	As above: continue to wear PPE for clean up; follow state legislation & AS2865:2001 safe working in a confined space guidelines; store tank a dry well ventilated area.

KNOW YOUR DIESEL TANK





SPLASH RESISTANCE BREATHER

No maintenance required.

ADLB060 - Small breather

ADLB140 - Large breather



'CLEAN BREATHE'

ADLBF - 'Clean Breathe' washable filter only. Can be retrofitted to any Rapid Spray anti-splash diesel breather.



INSTALLATION & OPERATION

Your diesel unit is supplied with a comprehensive pump use and maintenance manual (Located at the end of this manual in Appendix 1). Be sure to have read and understood its contents prior to operation. The information below is in addition to this manual and must be read and understood before attempting operation.

SET UP AND INSTALLATION

MOUNTING

Your diesel tank comes assembled and ready for operation, however before operation it is important to ensure your tank is mounted/installed correctly. There are two main ways of securing your tank:

1. Tank comes with moulded in recessed areas for strapping down lengthways.
PLEASE NOTE: This method is designed as a temporary means of securing tank to vehicle in situations where tank needs to be removed frequently.
2. For more permanent installations, or for fitting tank to RAPID DIESEL forklift-able frames, brass inserts have been moulded into the base of the tank. When using these inserts to mount your tank, ensure you use the correct length bolt for the task, to prevent damage to the tank.

PRE-OPERATION CHECK

Before operating unit, perform a pre-operation check to ensure that damage has not occurred during delivery of the unit.

- Check all fittings and hoses for tightness and damage.
- Check tank, including base for any excess abrasion or transport damage.
- Check electrical leads, note any abnormalities or damage.
- Remove filler cap, filter and gun from holder. Ensure all moving parts operate freely.

CONNECT TO POWER SOURCE (WHERE APPLICABLE)

If your unit is fitted with a transfer kit, it is essential that transfer kit is connected to a power source in accordance with local Electrical and vehicle safety legislation. When connecting your transfer kit please note the following points.

- For 12/24VDC transfer kits, use appropriate vehicle power source or supply. (12 or 24V)
- It is strongly recommended that a Qualified Auto Electrician be contacted if connecting transfer kit to vehicle power source permanently.

Continued over.

CONNECT TO POWER SOURCE (WHERE APPLICABLE). CONT

- All installations must be fused appropriately in accordance with pump manufacturer's specifications. (See pump manufacturers manual supplied)
- If mounting unit to vehicle permanently, it is recommended that a moulded pair type Anderson plug rated to at least 50A be used.
- All 240V installations must be completed by a qualified electrician.

OPERATION**TANK FILLING PROCEDURE**

The following procedure is recommended for filling tank:

- Ensure tank is in an adequately ventilated area.
- Use the static lead provided at the refuelling station to ground tank to earth whilst filling.
- Remove filler cap, do NOT remove filter.
- Insert supply nozzle into filler opening and operate supply to fill tank to desired level.
- Remove fill nozzle and replace cap.
- Remove static lead.

TEST UNIT

Before using unit for refuelling, it is recommended that you check operation of the unit by inserting the nozzle into the tank filler neck and running the pump for a short period of time.

REFUELLING

When refuelling other vehicle with your Rapid Diesel tank, it is recommended that you follow the procedure listed below.

- Ensure tank is in an adequately ventilated area, and within reach of your refuelling hose.
- Using supplied static lead, ground tank to be refueled, by attaching the lead to chassis or other metal component near tank.
- Remove fuel cap of tank to be refueled and insert nozzle.
- Turn pump on and operate nozzle until tank has reached desired level. (IMPORTANT: Auto Nozzle will shut of automatically when tank is full. NEVER leave tank or Nozzle unattended while filling)

Continued over.

REFUELLING CONT.

When refuelling other vehicle with your Rapid Diesel tank, it is recommended that you follow the procedure listed below.

- Turn off pump. (NOTE: during the course of normal operation, pump will operate in bypass mode, if nozzle is shut or restricted. This is usually indicated by a change in pump tone (noise). It is NOT recommended that pump be allowed to bypass for more than 3min. Doing so can irreparably damage the pump and will void warranty.)
- Remove nozzle and replace filler cap.
- Disconnect static lead.

PACK UP AND DECONTAMINATION

After you have completed refuelling procedure for the day ensure you pack nozzle and delivery hose away neatly to prevent tangles or hose kinks and to make it easier to access for future use. If any spillage has occurred during refuelling operations, ensure this is cleaned up in accordance with local environmental and safety regulations.

STORAGE

Store diesel unit only in a dry well ventilated area, free of any sources of fuel or ignition.



MAINTENANCE

This information is in addition to pump maintenance information included in supplied pump manual.

Your Rapid Diesel unit has been designed and built to require minimal maintenance, however it is recommended that you follow these procedures to ensure this remains so.

TANK UNIT

Periodically check external condition of tank for any scratch or scuff marks that may have occurred during operation.

HOSE

Check hose condition for nicks or abrasion. If any markings are present, it is strongly recommended that you replace your hose immediately.

FITTINGS

Check all fittings for tightness and presence of leaks.

FILTER

Check filter for cleanliness and condition. Flush or replace if necessary.

PUMP

The pump is designed for minimal maintenance; however it is recommended that you observe the following precautions:

Daily: Keep the pump exterior clean to help identify leaks, check the connections/joints sealing and repair any leakage immediately, if necessary. Check the electrical cable conditions: if damages/cuts or other defects are recognized, it is necessary to replace the cable with a new one. Check the conditions of suction and discharge hoses: if fissures, cuts, bulges or other damages are recognized, it is necessary to replace the hose with a new one.

Weekly or every 5 hours of work: Inspect and/or clean the strainer integrated in the body pump: a clogged strainer will reduce the fuel flow delivery and the pump lifetime; to disassemble the retainer unscrew the plug (2) and remove the strainer from its seat (6), clean by air -blast spray or flush/wash out, then reassemble the strainer and the plug.

Every 2 years: it is recommended that you replace the discharge hose.

DISPOSING CONTAMINATED MATERIALS

Don't disperse contaminated parts into the environment. Refer to local regulations for proper disposal of contaminated parts and materials.

TROUBLESHOOTING

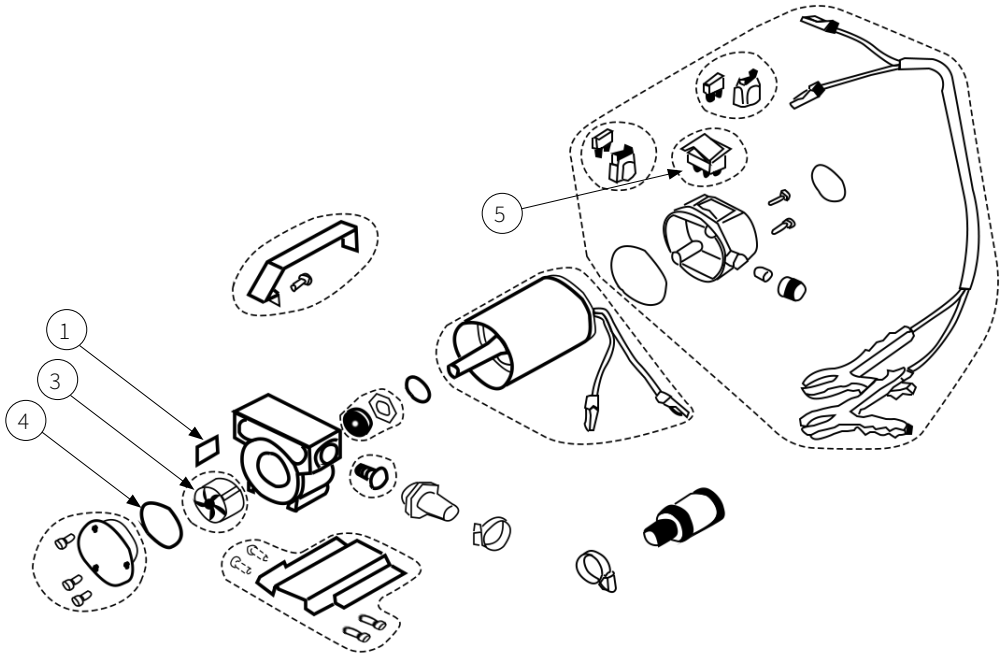
SYMPTOM	POSSIBLE CAUSE	REMEDY
Motor does not run	No electrical power to pump	Check electrical connections, extension cable (if applicable) and fuse.
Motor runs slowly with low fuel flow	Low voltage supply	Ensure all cables and extensions are minimum 2 x 4mm ² Test power supply and ensure adequate voltage min - 11.5V
Motor runs, but no fuel delivery	Tank level too low Clogged suction line or filter Air leak in suction side	Add fuel to tank Clean suction line and filters Check all joints for leaks
Pump makes squealing / scratching noise while running	Dirt or debris entering pump chamber	Remove end cover by first undoing the three socket head screws and lifting off cover. Clean impeller and vanes taking care to remove any particles caught between the ends of the vanes and the housing. Take care not to over tighten screws when reassembling.
Air lock in fuel nozzle	Empty tank completely below suction hose line	Undo delivery nozzle, run delivery hose back into tank, run pump. If fuel comes through the hose, re-attach fuel nozzle and repeat process to check fuel is passing through delivery nozzle.

For any further troubleshooting questions, please don't hesitate to give our customer service team a call on 1800 011 000.



PUMP BREAKDOWN & PARTS | 40L/min

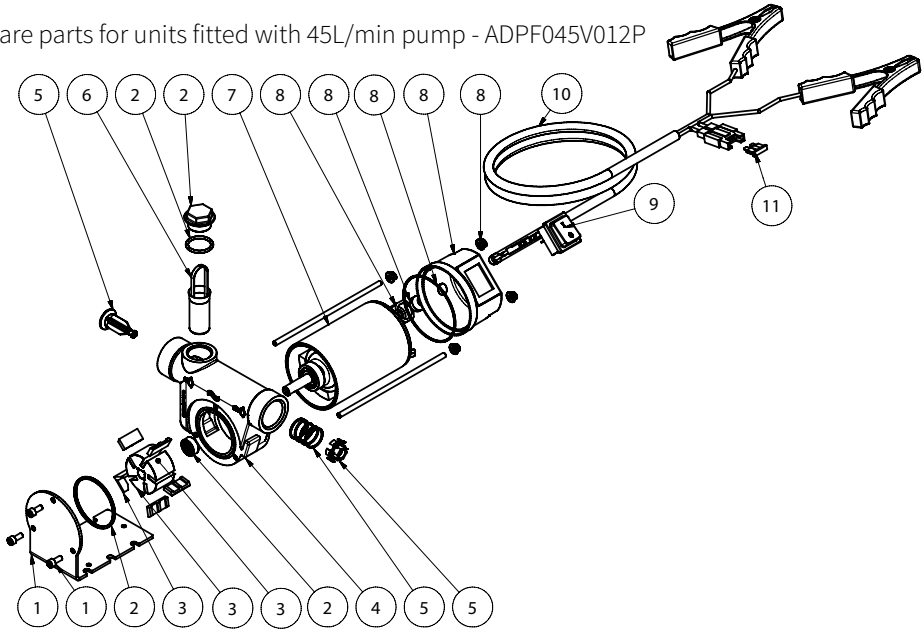
Spare parts for units fitted with 40L/min pump - ADPX040V1P



Parts List			
#	Qty	Description	P/N
1	1	Vane to suit Dieselflo 40 L/min pump	CRD001
2	1	Bypass valve to suit Dieselflo pump	CRDBVD001
3	1	Rotor/vanes suit Dieselflo 40 L/min pump	CRDR001
4	1	O-ring to suit Dieselflo pump	CRDR004
5		30A Switch White suit Dieselflo pump	CRDSW30AW

PUMP BREAKDOWN & PARTS | 45L/min

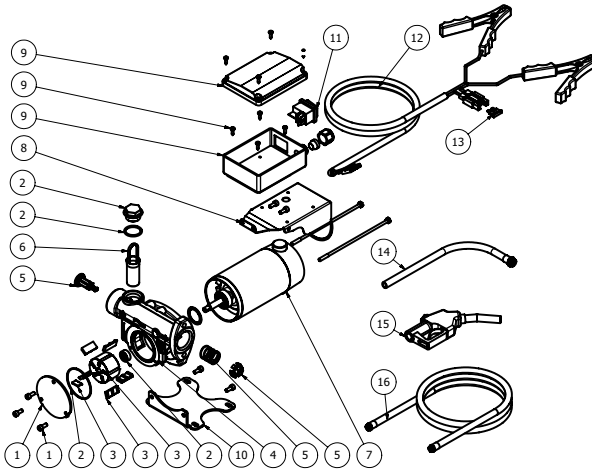
Spare parts for units fitted with 45L/min pump - ADPF045V012P



Parts List			
#	Qty	Description	P/N
1	1	Bracket & screw kit	CRF695000
2	1	Gaskets kit	CRF695001
3	1	Rotor & vanes kit	CRF695002
4	1	Pump body 40L	CRF21001
5	1	Bypass valve kit	CRF695003
6	1	Strainer	CRF217001
7	1	24V motor	CRF460002
7	1	12V motor	CRF460001
8	1	Switch cover kit	CRF695004
9	1	Switch	CRF425001
10	1	Cord 2 x 4-4m & clamps	CRF400003
11	1	15A fuse (24V motor)	CRF450002
11	1	25A fuse (12V motor)	CRF450001

PUMP BREAKDOWN & PARTS | 60L/min

Spare parts for units fitted with 60L/min pump - ADPF060V012P



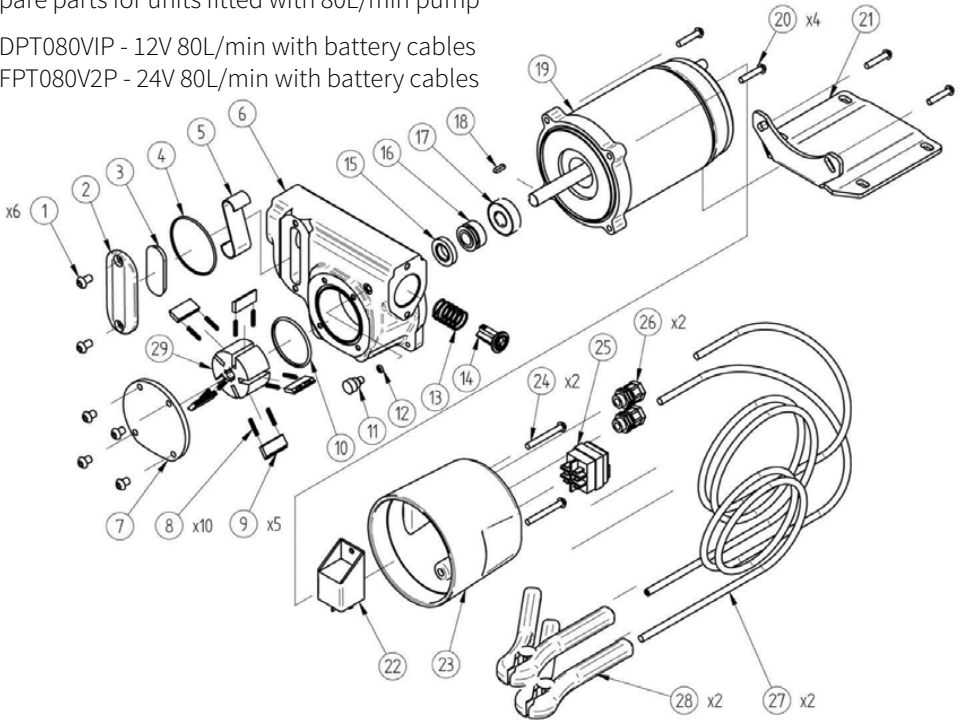
Parts List

#	Qty	Description	P/N
1	1	Bracket & screw kit	CRF695005
2	1	Gaskets kit	CRF695001
3	1	Rotor & vanes kit	CRD695002
4	1	Pump body 60L	CRF210002
5	1	60 lt. by-pass valve kit	CRF695016
6	1	Strainer	CRD217001
7	1	24Vcc motor	CRF460102
7	1	12Vcc motor	CRF460101
8	1	Cover FLC 60 DC kit	CRF695017
9	1	Electrical box kit	CRF695006
10	1	FLC 60 DC holder kit	CRF695018
11	1	ON/OFF switch	CRF425001
12	1	Cord 2x4 4mt + clamps	CRF400003
13	1	25A fuse (12Vcc motor)	CRF450001
13	1	15A fuse (24Vcc motor)	CRF450002
14	1	Suction hose	CRF990201
15	1	Auto nozzle 60 Lt/min	CRF320601
15	1	Man. nozzle 80 Lt/min1	CRF321601
16	1	Delivery hose 1"-4 mt	CRF990104

PUMP BREAKDOWN & PARTS | 80L/min

Spare parts for units fitted with 80L/min pump

ADPT080VIP - 12V 80L/min with battery cables
 AFPT080V2P - 24V 80L/min with battery cables



Parts List

#	Qty	Description	P/N
18	1	Key	CTP620935014
22	1	Relay - 12V	CTP620100141
22	1	Relay - 24V	CTP620100140
23	1	Motor cover	CTP615810100
25	1	Switch	CTP620200010

Spare Part Kits

P/N	Included Parts	Description
CTK990810039	8, 9	Vane and spring kit
CTK990810011	13, 14	Bypass kit
CTK990810020	3, 4, 5	Filter kit
CTK990810042	10, 15, 16	Rotor Vane kit

ACCESSORIES



ADGA20 - 3/4" Auto Shut-Off gun to suit 45L/min diesel pump



ADGA25 - 1" Auto Shut-Off gun to suit 60L/min diesel pump



ADLC001CCF - Non-vented lockable diesel filler lid, includes filter and anti-loss chain



ADFPE25D5 - 5-Digit digital flow meter



ADFMM25D4 - Heavy duty 4-Digit manual flow meter



ADHR008M25 - Diesel flow & reel with 8m x 25mm hose



ADPF045V12P - Fluid 40L/min pump only



ADPF060V12P - Fluid 60L/min pump only



CFSBB20M20F - 3/4" hose swivel, 3/4" MBSP to 3/4" FBSP



CFSPB25M25F - 1" Brass Hose Swivel, 1" MBSP to 1" FBSP

OPTIONS



ADPF060V3K - Fluid 240V Diesel Pump Kit

- 60 L/min 240 volt diesel pump kit
- 6 metres of 25mm anti-static delivery hose with anti-kink spring & auto shut-off nozzle
- 2 metres of 25mm suction hose
- Made in Italy
- 2 year warranty



ADPX040V1P - Dieselflo® 12V 40L/m Pump

- 12 volt 40 litres/min open flow rate
- Improved heavy duty switch
- Redesigned integrated bypass valve
- Supplied with suction filter
- 3/4" BSP ports
- Self priming
- Reliable & compact
- 4 metres of electrical cable with battery clips



ADPT080V1K / ADPT080V2K - Svelto Pump Kits

(Suits 800 litre units and above)

- 80 L/min diesel pump kit
- Available in 12 & 24 volt models
- 6 metres of 25mm anti-static delivery hose with anti-kink spring & auto shut-off nozzle
- 2 metres of 25mm suction hose
- Integrated bypass valve in pump
- Self priming for ease of use
- 4 metres of electrical cable with battery clips
- Made in Italy



ADC30M25F - Diesel Filter Holder & Cartridge Kit

- Aluminium filter holder supplied with water and sediment filter cartage

ADC30M25F - Diesel Filter Holder & Cartridge Kit

- Easy to load convenience
- Strong hot dip galvanised steel construction
- Bolts directly to tank for secure mounting
- Anti-theft

OPTIONS CONT.



ADZF6M20 / ADZF10M20 / ADZF6M25 / ADZF10M25 - Diesel Hose

- Choose from 6 & 10 metre hose lengths
- Choose from 3/4" and 1" hose diameter
- High quality diesel grade hose with crimped fittings
- Hose kinking prevented by anti-kink spring



ARB195 / ARB355 - Ball Baffles®

- Small Ball Baffle ø195mm – suits 250mm lid opening
- Large Ball Baffle ø355mm – suits 450mm lid opening



ADLM10M - Genius Fuel Level Gauge

- Easy to read fuel level gauge
- Fits neatly beside filler cap

WARRANTY

The following warranty is the only warranty applicable to RAPID SPRAY products, and to the maximum extent permitted by law, overrides any other conditions or warranties expressed or implied on RAPID SPRAY products.

Other than legislative obligations to the contrary, RAPID SPRAY will not be liable for and incidental or consequential damages arising from the ownership or use of a product. No person, including any dealer or representative of RAPID SPRAY is authorized to make any representation or warranty on behalf of RAPID SPRAY in addition or inconsistent with these provisions. Purchasers to whom these provisions apply agree to hold RAPID SPRAY not liable for claims by their customers in excess of the obligations of RAPID SPRAY expressly set forth herein.

NOTE: All tank and spray systems must have their warranty activated by returning the warranty card located at the end of this document within 21 days of purchase by the end user.

The Warranty

All products sold by RAPID SPRAY are guaranteed to be free from defect in materials workmanship or manufacture for a period of 12 months from the initial date of purchase, excepting the following exclusions;

Any parts/products found by RAPID SPRAY to be defective, either in material or workmanship will be replaced or repaired within this period, at no cost to the initial purchaser if following conditions are met:

- The item has been operated in accordance with all instructions and warnings provided
- Item is still owned and operated by the original purchaser - proof of purchase is required to obtain warranty



WWW.JAS-ANZ.ORG/REGISTER

FOLLOWING THINGS ARE EXPRESSLY EXCLUDED FROM THE ABOVE WARRANTY.

ABUSE	Failure as a result of neglect, such as improper operation. Lack of maintenance or continued operation after discovery of a defect that leads to further damage
ALTERATIONS	Any unauthorized alteration, modification, attachments or unauthorized repair to equipment.
CLEAN-UP TIME	RAPID SPRAY does not pay for cleaning of products, parts or accessories or work area before or after the warranty repair.
DAMAGE	Damages or machine/component failure caused by carelessness/recklessness or accidental damage, improper operation, excessive speed, inappropriate storage or transportation.
ENVIRONMENTAL CONDITIONS & APPLICATION	Deteriorated or failed components such as o-rings, diaphragms, hoses, seals and connections damaged by corrosive chemicals, dirt and sand, excessive heat, moisture or other environmental impacts. Warranty determination on these type of failures will be made by RAPID SPRAY, only after inspection of the failed component.
INABILITY UNSUITABILITY	In no event shall RAPID SPRAY be liable to any person for indirect or consequential damages or for injury or commercial loss resulting from any use or inability to use any RAPID SPRAY product.
MAINTENANCE	Component failure due to failure to perform maintenance services such as, oil and grease changes/top-ups, failure to clean tanks, pumps filters, nozzles and spray lines. Failure to tighten or replace loose or missing bolts, nuts, fittings, shields and covers.
NON-GENUINE PARTS	Use of parts other than RAPID SPRAY parts for repair of warranted items will automatically negate any warranty. Warranted components must be replaced with genuine parts.

This page has been left intentionally blank.

WARRANTY REGISTRATION

You can register online at www.rapidspray.net/resources/warranty-registration or complete all the details below and post this form back to:

Rapid Spray, PO Box 3119, Singleton NSW 2330

Model Serial No

Purchased From
(Dealer Name & Town)

Purchaser's Name

Purchaser's Address

.....

Purchaser's Phone Number

Purchaser's Email address:

Disclaimer: If you don't want us to keep you informed of new products, please tick the following circle:

To help us help you further, please complete the following:

Purchaser's Age

- Up to 25
- 25 - 40
- 41 - 55
- Over 55

Principal Usage

- Commercial farm
- Hobby farm
- Industrial
- Other.....
- Town council
- Hire company
- Home

What influenced you to purchase a Rapid Spray product?

- Received Catalogue
- Newspaper advertisement
- Magazine advertisement
- Dealer recommendation
- Friends recommendation
- Better features than competitor product
- Quality & reliability
- Price
- Past experience with Rapid Spray products
- Other.....

What other Rapid Spray products do you use?

- Spray tanks
- Cartage tanks
- Diesel tanks
- Fire fighting
- Boom sprayers
- Bertolini pumps & controllers
- Backpack Sprayers | Compression Sprayers
- Other.....





Call us on 1800 011 000 or visit www.rapidspray.net

35 Enterprise Cres, Singleton NSW 2330
PO BOX 3119 Singleton NSW 2330

Telephone: 1800 011 000
Facsimile: 02 6571 2951

Rapid Spray Liquid Management Systems

