



57L & 95L SPOT SPRAYER

OPERATORS HANDBOOK



SVS0057L0038
SVS0095L0038



WARNING**IMPROPER USE OR FAILURE TO FOLLOW INSTRUCTIONS CAN RESULT IN EXPLOSIVE FAILURE CAUSING SERIOUS EYE OR OTHER INJURY.**

FOR SAFE USE OF THIS PRODUCT YOU MUST READ AND FOLLOW ALL INSTRUCTIONS. DO NOT LEAVE SPRAYER IN THE HOT SUN. HEAT CAN CAUSE PRESSURE BUILD-UP RESULTING IN POSSIBLE EXPLOSION. DO NOT STORE OR LEAVE SOLUTION IN TANK AFTER USE. ALWAYS WEAR GOGGLES, GLOVES, LONG SLEEVE SHIRT, LONG PANTS AND FULL FOOT PROTECTION WHEN SPRAYING.

DO NOT ATTEMPT TO MODIFY THIS SPRAYER. REPLACE PARTS ONLY WITH MANUFACTURER'S ORIGINAL PARTS.

NEVER SPRAY FLAMMABLE, CAUSTIC, ACIDIC, CHLORINE, BLEACH, PETROLEUM BASED OR OTHER CORROSIVE SOLUTIONS OR HEAT, PRESSURE, OR GAS PRODUCING CHEMICALS. ALWAYS READ AND FOLLOW CHEMICAL MANUFACTURER'S INSTRUCTIONS BEFORE USE WITH THIS SPRAYER AS SOME CHEMICALS MAY BE HAZARDOUS WHEN USED WITH THIS SPRAYER.

ENSURE THE WIRING HARNESS DOES NOT BECOME PINCHED OR DAMAGED IN ANY WAY. THIS MAY DAMAGE THE PUMP OR CAUSE THE WIRING HARNESS TO OVERHEAT, RESULTING IN MELT DOWN OR FIRE.

SOME CHEMICALS WILL DAMAGE THE PUMP VALVES IF ALLOWED TO SOAK UNTREATED FOR A LONG PERIOD OF TIME. ALWAYS FLUSH THE PUMP WITH WATER AFTER USE. DO NOT ALLOW CHEMICALS TO SIT IN PUMP FOR EXTENDED TIMES OF IDLENESS. FOLLOW CHEMICAL MANUFACTURERS INSTRUCTIONS ON DISPOSAL OF ALL WASTE WATER FROM THE SPRAYER.

ALWAYS OBEY VEHICLE MANUFACTURER INSTRUCTIONS REGARDING LOADING AND OPERATION OF YOUR VEHICLE. SERIOUS INJURY OR DEATH CAN OCCUR FROM IMPROPER USAGE. RAPID SPRAY ACCEPTS NO LIABILITY FOR THE UNSAFE OPERATION OF THIS UNIT.

CAUTION

THIS SPRAYER HAS BEEN DESIGNED TO BE ATTACHED TO STABLE SURFACES.

INTRODUCTION

The purpose of this manual is to assist you in the assembly, operation and maintenance of your sprayer or accessories. Please read through this manual completely to fully understand how to operate and maintain your equipment. This product has been manufactured to provide years of dependable service, proper operation and maintenance will ensure its dependability. Keep your manual in a safe, convenient place for future reference. Always mention the model and part number in any correspondence.

OPERATION

The pumping system draws solution from the tank, through the strainer and to the pump. The pump forces the solution under pressure to the spray wand.

The pump has a pressure switch which will shut the pump off when it reaches 60 PSI.

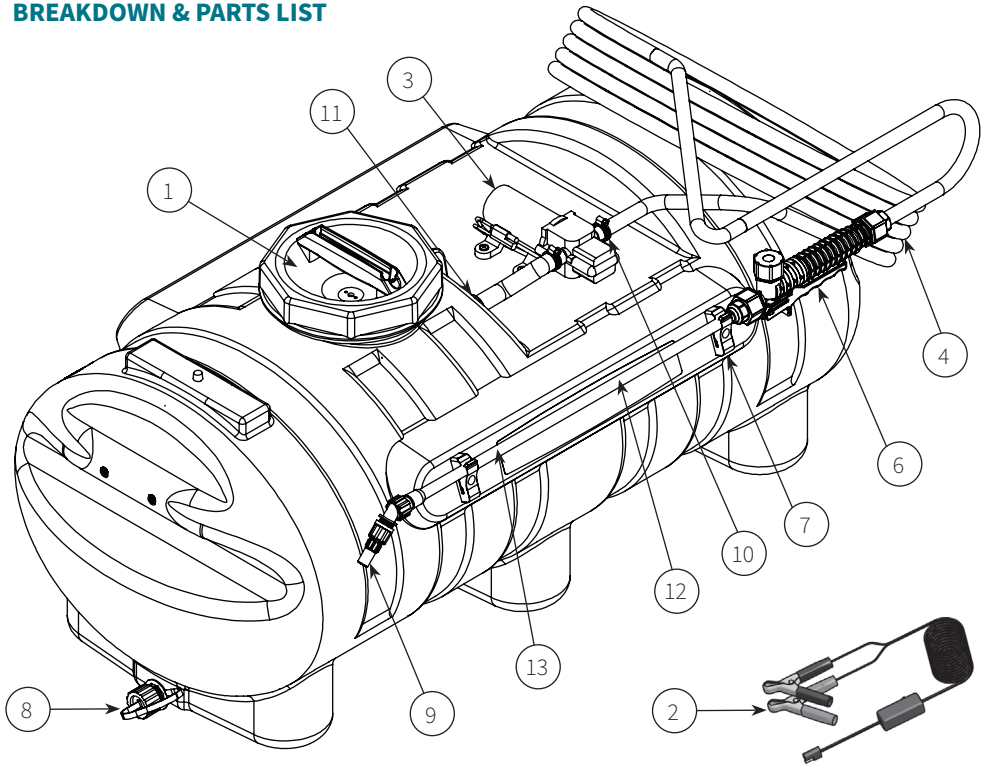
Regularly inspect the suction supply screen on the inside of the tank. Flush with water to clear any accumulated debris.

AFTER SPRAYING

After use, fill the sprayer part way with water. Start the sprayer and allow clear water to be pumped through the plumbing system and out through the spray wand.

Refill the tank about half full with plain water and use a chemical neutralizer and repeat cleaning instructions. Flush the entire sprayer with the neutralizing agent. Follow the chemical manufacturer's disposal instructions of all wash or rinsing water.

BREAKDOWN & PARTS LIST



REF NO.	PART NO.	QTY	DESCRIPTION
1	CCP68350	1	150mm Tank Lid w. Breather and Basket Filter
2	ATCWL02412VSA	1	Harness, Wire, S/S
3	APD0038RP	1	3.8L/min 40psi Delavan 2200 Pump
4	CUY30010MX6	1	Hose, 10mm x 6m
6	CCP68138	1	Chapin cushion grip shut-off assembly
7	CHCLP12MMX2	1	Gun Clip (pair)
8	ATPVC20T	1	Drain cap complete with seal & tether
9	CCP69075	1	Nozzle Kit
10	CFCWZ1120MMX10	2	11-20mm Worm Drive Hose Clamp Pack 10
11	CYGTE15	1	Rubber Grommet
12	CCP68219	1	Chapin lance tube assembly
13	CCPRP0098	1	Spray Lance Complete

DIAPHRAGM PUMP SPECIFICATIONS

MOTOR

Type: 12VDC, permanent magnet, thermally protected, splash-proof

Leads: 18 AWG, 11.4cm long

Model: 2200-2

Duty Cycle: Intermittent

PUMP

Type: 2-chamber positive displacement, self priming, capable of being run dry

Liquid Temp: 43°C max.

Priming Capabilities: 1.2m (4 ft.) suction lift

Max Pressure: 60 PSI (4.1 bar)

MATERIALS OF CONSTRUCTION

Motor Housing: Nylon 6/6

Pump Housing: Polypropylene

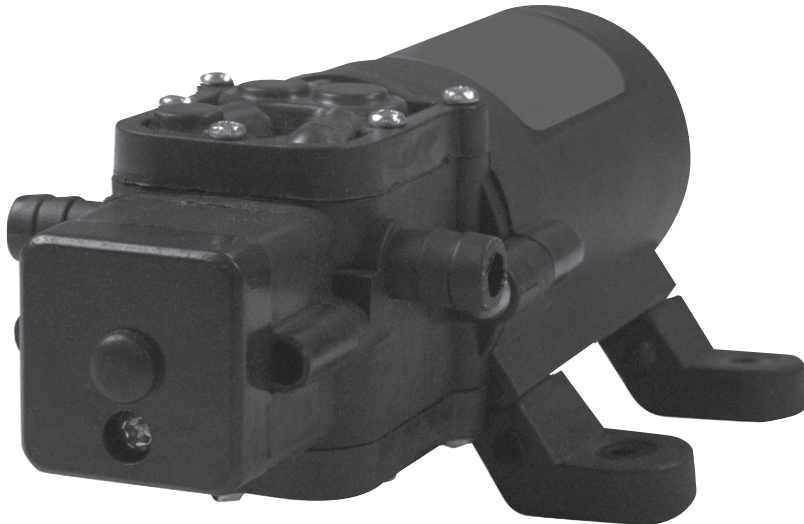
Valves: Viton

Diaphragm: Santoprene

Fasteners: Stainless Steel and Zinc Plated

WEIGHT

0.57kg (1.25lbs.)



TROUBLESHOOTING

CONDITION	CHECK
Pump won't start	Correct voltage (12 - 13V) and electrical connections
	Fuse or breaker
	Pressure switch operation
	Rectifier or motor for open or grounded circuit
	Locked drive assembly
	Correct voltage at switch
Pump will not prime (No discharge with motor running)	Debris in strainer
	Restriction (kinks) in inlet / outlet tubes
	Debris / swelling in inlet / outlet valves
Pump will not shut-off (output line closed and no leaks)	Air trapped in outlet line or pump head
	Correct voltage to pump
	Debris in pump inlet / outlet valves
	Loose drive assembly or pump head screws
Lead from pump head or switch	Pressure switch operations / adjustments
	Loose screws at switch or pump head
	Switch diaphragm ruptured or pinched
	Punctured diaphragm if fluid is present

SPRAY & PUMP FAQ

1. Why does the pump not run all the time?

This is an on- demand pump and only runs with flow; spray wand, by-pass, spray tips or leak in system.

2. Why does the pump surge while using the spray wand?

Low flow/high pressure may cause the pump to surge (or cycle). This could happen when the spray wand is adjusted for a small or fine spray pattern. To overcome, adjust the nozzle for higher flow.

3. How do I adjust the pressure?

Pressure can only be adjusted by adjusting the nozzle.

4. My pump quit and will not restart - what should I check?

Check all electrical connections. Ensure switch is in the on position. Check in-line fuse and/or fuse in car adapter end. Ensure correct voltage (12-13 volt).

5. Low flow or no flow at all - what should I check?

Check for a clogged suction hose and/or suction strainer. Often you will need to clean the suction strainer. Check for proper voltage.

6. Is there a fuse for the sprayer?

Yes, either an in-line fuse, a fuse located in the car adapter housing or both.

7. What size fuse should I use as a replacement?

7.5 amp

8. What is the range of the spray wand?

10m max

9. How should I clean the tank after use?

- Rinse tank thoroughly with water only, empty, refill with water.
- Empty sprayer by spraying no less than 1 minute to rinse out line. The remaining water can be drained per the drain plug.
- Store sprayer tank upside down, in a warm dry location.

10. Can the spray tip on the wand be replaced with a different type of tip?

Yes, however your wand comes with a #18 tip which is standard. Brass tips generally produce better spray patterns than plastic.

11. Each time I turn on the pump my fuse blows.

- Excessive voltage
- Improper adjustment of the pressure switch
- Damaged wiring harness

12. Pump continues to run and surge when not spraying

Ensure your system has no leaks. Check by-pass valve to ensure it's not letting too much fluid to bypass. If too much fluid is bypassed, the system is unable to build enough pressure to shut-off.

All tank and spray systems must have their warranty activated by registering online within 21 days of purchase by the end user. Once registered, the full 2 year warranty will be applicable.



See <https://www.rapidspray.net/resources/warranty-registration> to register your Rapid Spray product for warranty or call 1800 011 000.



www.rapidspray.net
35 Enterprise Cres, Singleton NSW 2330
PO BOX 3119 Singleton NSW 2330
Telephone: 1800 011 000
Facsimile: 02 6571 2951